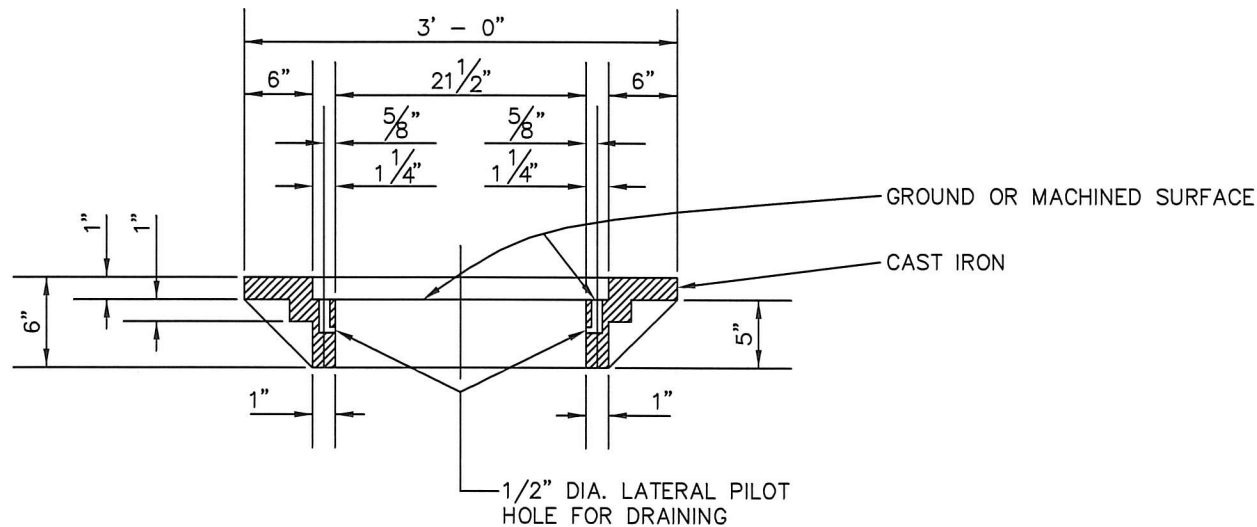


NOTE:

STANDARD MANHOLE COVER AS SHOWN ON ACC. NO. 49005 SHALL BE SUPPLIED WITH THIS FRAME.

FRAME MATERIAL: CAST GRAY IRON ASTM A48, CLASS 35B  
FRAME FINISH: NO PAINT



THE  
METROPOLITAN SEWER DISTRICT  
OF  
GREATER CINCINNATI  
**STANDARD CASTING  
MANHOLE FRAME  
TYPE "A"**

NO SCALE DATE: DEC. 2010  
APPROVED: *Ralph Johnston*  
SEWERS CHIEF ENGINEER